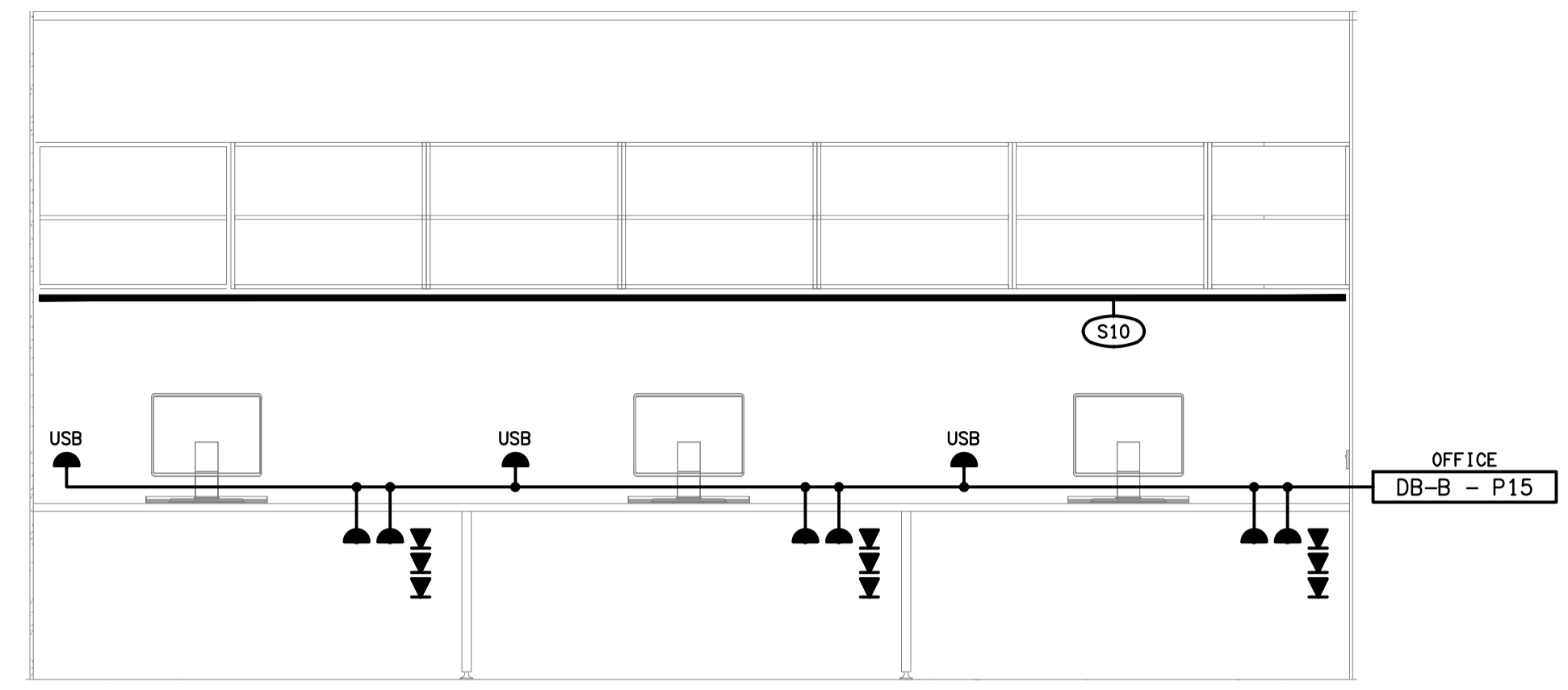
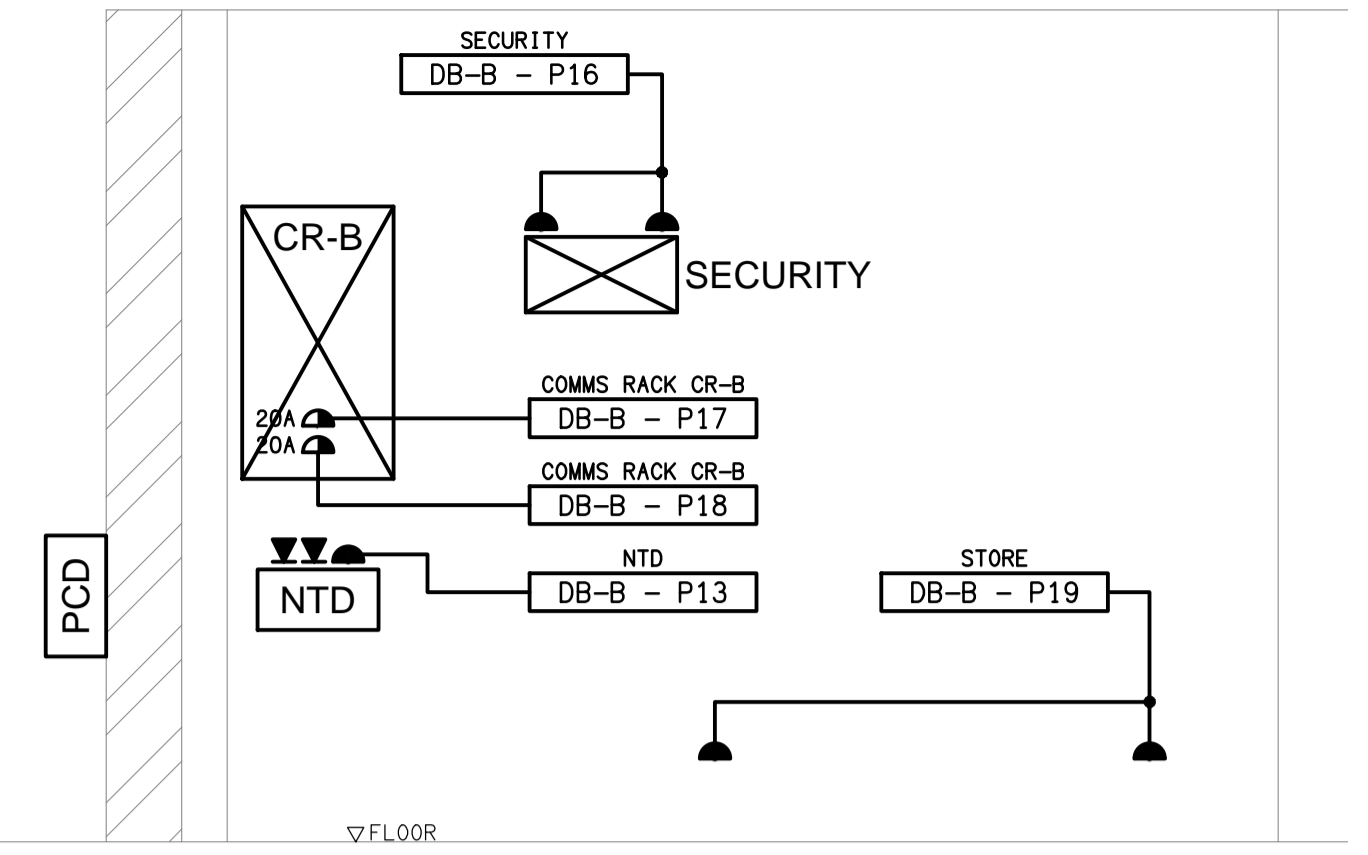


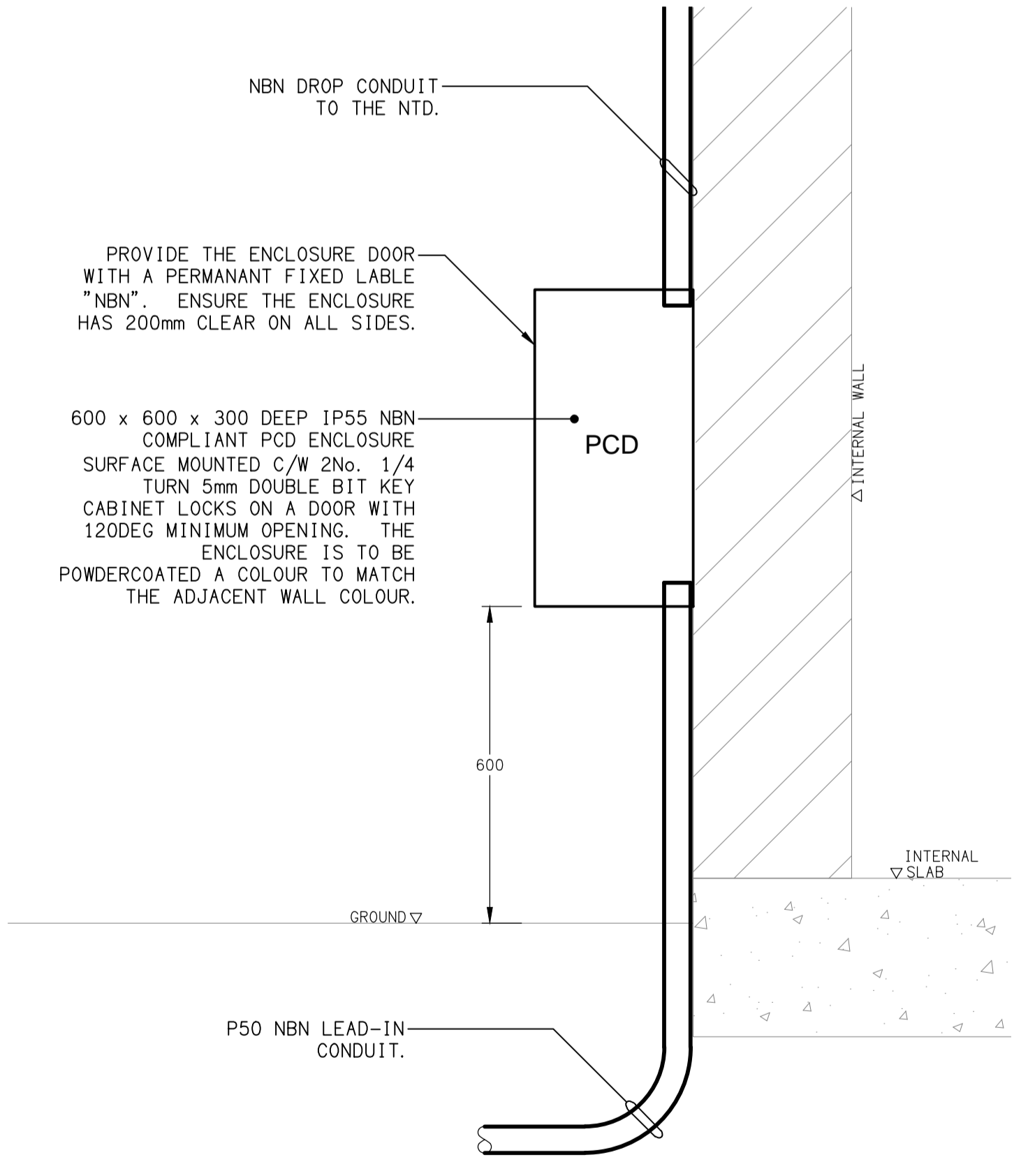
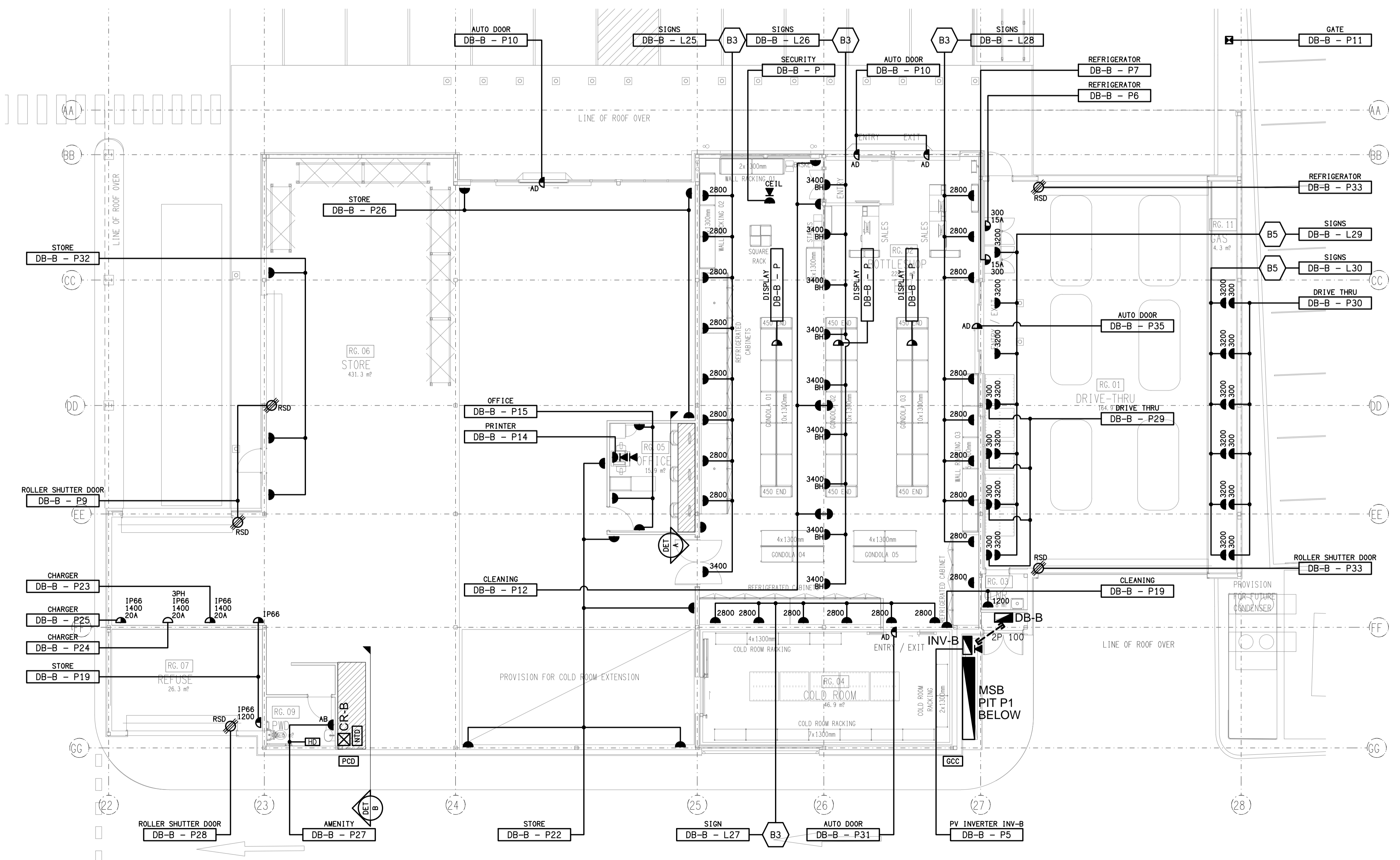
**DETAIL D**  
POINT OF SALE & ENTRY FLOOR PLAN  
SCALE 1:50



**DETAIL A**  
OFFICE WORKSTATION ELEVATION  
SCALE 1:25



**DETAIL B**  
COMMUNICATIONS WALL ELEVATION  
SCALE 1:25



**DETAIL C**  
PCD MOUNTING  
NOT TO SCALE

ELECTRICAL DESIGN GROUP BRISBANE PTY LTD  
ACN 092 710 793  
TRADING AS:  
ELECTRICAL DESIGN GROUP

THE COPYRIGHT OF THIS DRAWING REMAINS THE PROPERTY OF THE ELECTRICAL DESIGN GROUP.  
USE FIGURED DIMENSIONS IN PREFERENCE TO SCALE.  
ALL DIMENSIONS TO BE VERIFIED ONSITE.

**ELECTRICAL DESIGN GROUP**  
ELECTRICAL BUILDING SERVICES CONSULTANTS  
BRISBANE GOLD COAST  
P.O. Box 15, Sherwood Q. 4075  
Phone: (07) 3278 4375  
Email: brisbane@edg.net.au  
Web: www.edg.net.au

PROJECT:  
**DRY DOCK ROAD HOTEL,  
TWEED HEADS SOUTH**  
CORNER DOCK ROAD & FRASER DRIVE, NEW SOUTH WALES

C	PRELIMINARY	09/12/2024
REV:	DESCRIPTION:	DATE:
DRAWING: <b>ELECTRICAL SERVICES BOTTLE SHOP FLOOR PLAN</b>		
SCALE: 1:100 UNO	PROJECT NO: <b>C2864a</b>	DRAWING NO: <b>E08</b>
AT A1	REVISION: <b>C</b>	